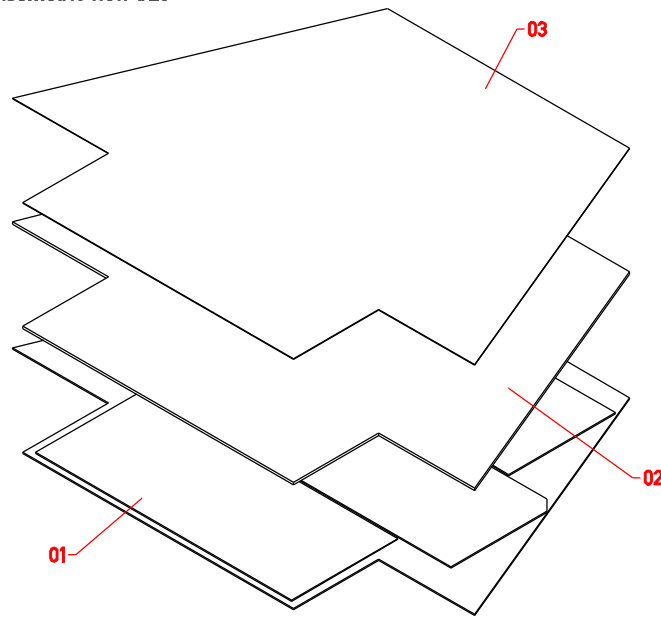
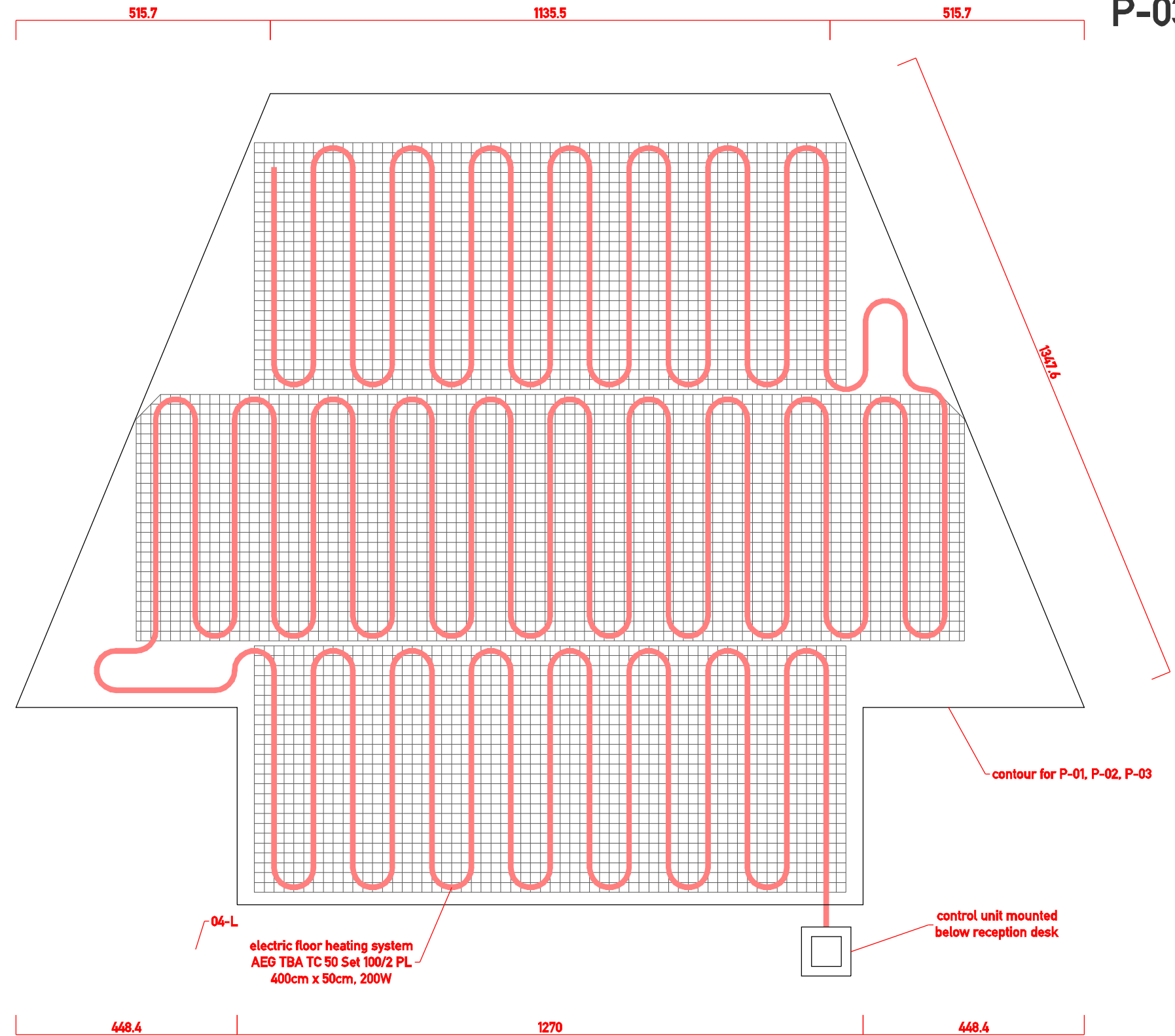


isometric view 1/25



top view (A)



P-04
P-02
P-03

V5 BOM

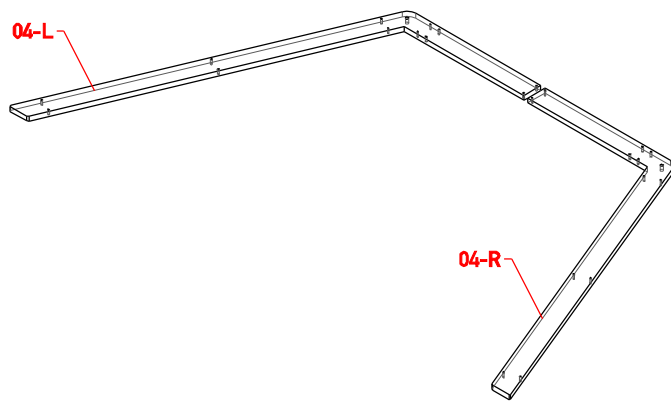
ID	Part description	Qty
01	electric floor heating system, e.g. AEG TBA TC 50 200W	1
02	base plate, plywood app. 10mm thick	1
03	floor cover, e.g. noraplan uni (rubber flooring)	1
04-L	base frame, flat steel 80x20mm, left part	1
04-R	base frame, flat steel 80x20mm, right part	1
05	thread rod M12, l=330mm, screwed or welded to base frame	2
06	spacer sleeve, steel or aluminium tube d=30mm, l=60mm	2
07	washer A13, DIN9021 or similar	2
08	hex nut M12, ISO4032 or similar	2
09-L	base frame cover, steel or aluminium plate 120x4mm, left part	1
09-R	base frame cover, steel or aluminium plate 120x4mm, right part	1
10	base frame cover, steel or aluminium plate 120x4mm, center part	1
11	countersunk hex socket screw M6x12, DIN7991 or similar	24
12	screen panel, plywood t=40mm or similar, lower center part	1
13	screen panel, plywood t=40mm or similar, upper center part	1
14-L	screen panel, plywood t=40mm or similar, left part	1
14-R	screen panel, plywood t=40mm or similar, right part	1
15	biscuit joint, lamello 56 or similar	19
16	acoustic panel with fabric cover, t=20mm, lower front center part	1
17	acoustic panel with fabric cover, t=20mm, upper front center part	1
18	acoustic panel with fabric cover, t=20mm, lower rear center part	1
19	acoustic panel with fabric cover, t=20mm, upper rear center part	1
20-L	acoustic panel with fabric cover, t=20mm, front left part	1
20-R	acoustic panel with fabric cover, t=20mm, front right part	1
21-L	acoustic panel with fabric cover, t=20mm, rear left part	1
21-R	acoustic panel with fabric cover, t=20mm, rear right part	1

for overview of parts see drawing V5-iso

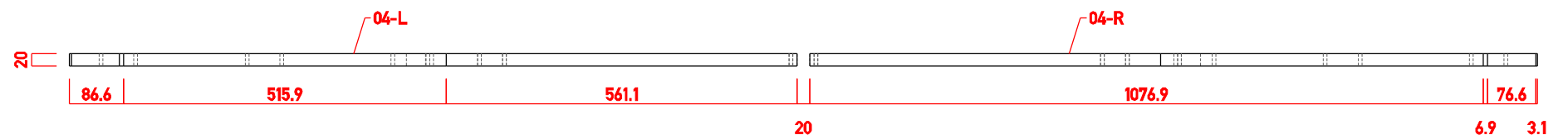
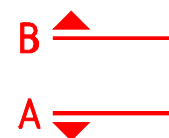
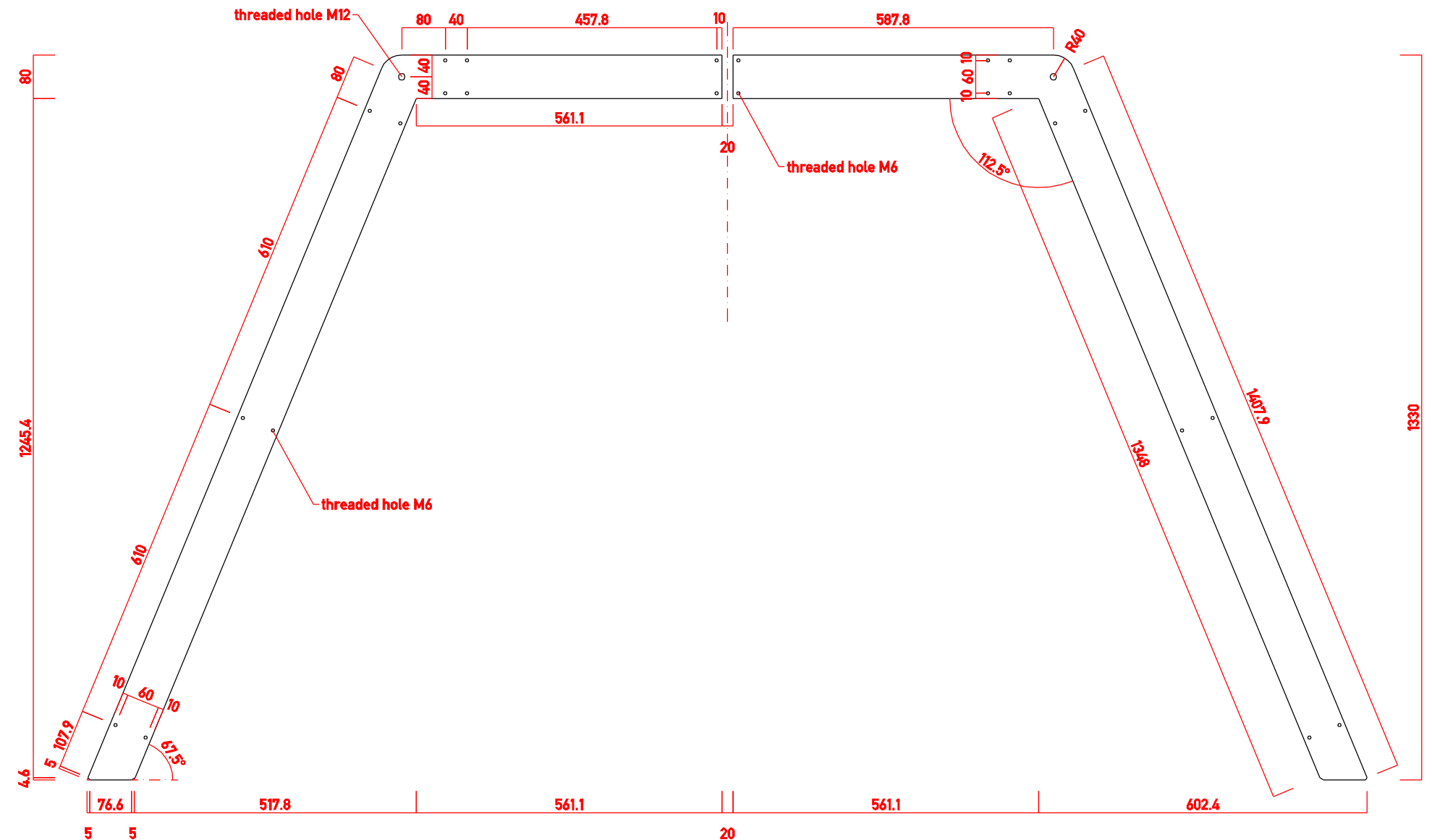
front view (B)

total thickness of
P-01, P-02 and P-03
app. 2cm

isometric view 1/25



top view (A)



front view (B)

P-04

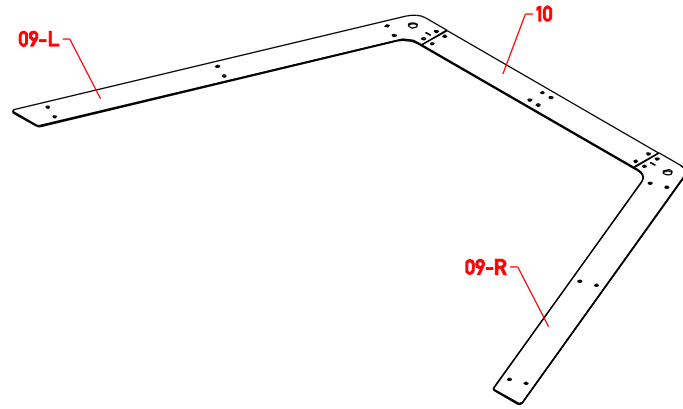
V5 BOM

ID	Part description	Qty
01	electric floor heating system, e.g. AEG TBA TC 50 200W	1
02	base plate, plywood app. 10mm thick	1
03	floor cover, e.g. noraplan uni (rubber flooring)	1
04-L	base frame, flat steel 80x20mm, left part	1
04-R	base frame, flat steel 80x20mm, right part	1
05	thread rod M12, l=330mm, screwed or welded to base frame	2
06	spacer sleeve, steel or aluminium tube d=30mm, l=60mm	2
07	washer A13, DIN9021 or similar	2
08	hex nut M12, ISO4032 or similar	2
09-L	base frame cover, steel or aluminium plate 120x4mm, left part	1
09-R	base frame cover, steel or aluminium plate 120x4mm, right part	1
10	base frame cover, steel or aluminium plate 120x4mm, center part	1
11	countersunk hex socket screw M6x12, DIN7991 or similar	24
12	screen panel, plywood t=40mm or similar, lower center part	1
13	screen panel, plywood t=40mm or similar, upper center part	1
14-L	screen panel, plywood t=40mm or similar, left part	1
14-R	screen panel, plywood t=40mm or similar, right part	1
15	biscuit joint, lamello 56 or similar	19
16	acoustic panel with fabric cover, t=20mm, lower front center part	1
17	acoustic panel with fabric cover, t=20mm, upper front center part	1
18	acoustic panel with fabric cover, t=20mm, lower rear center part	1
19	acoustic panel with fabric cover, t=20mm, upper rear center part	1
20-L	acoustic panel with fabric cover, t=20mm, front left part	1
20-R	acoustic panel with fabric cover, t=20mm, front right part	1
21-L	acoustic panel with fabric cover, t=20mm, rear left part	1
21-R	acoustic panel with fabric cover, t=20mm, rear right part	1

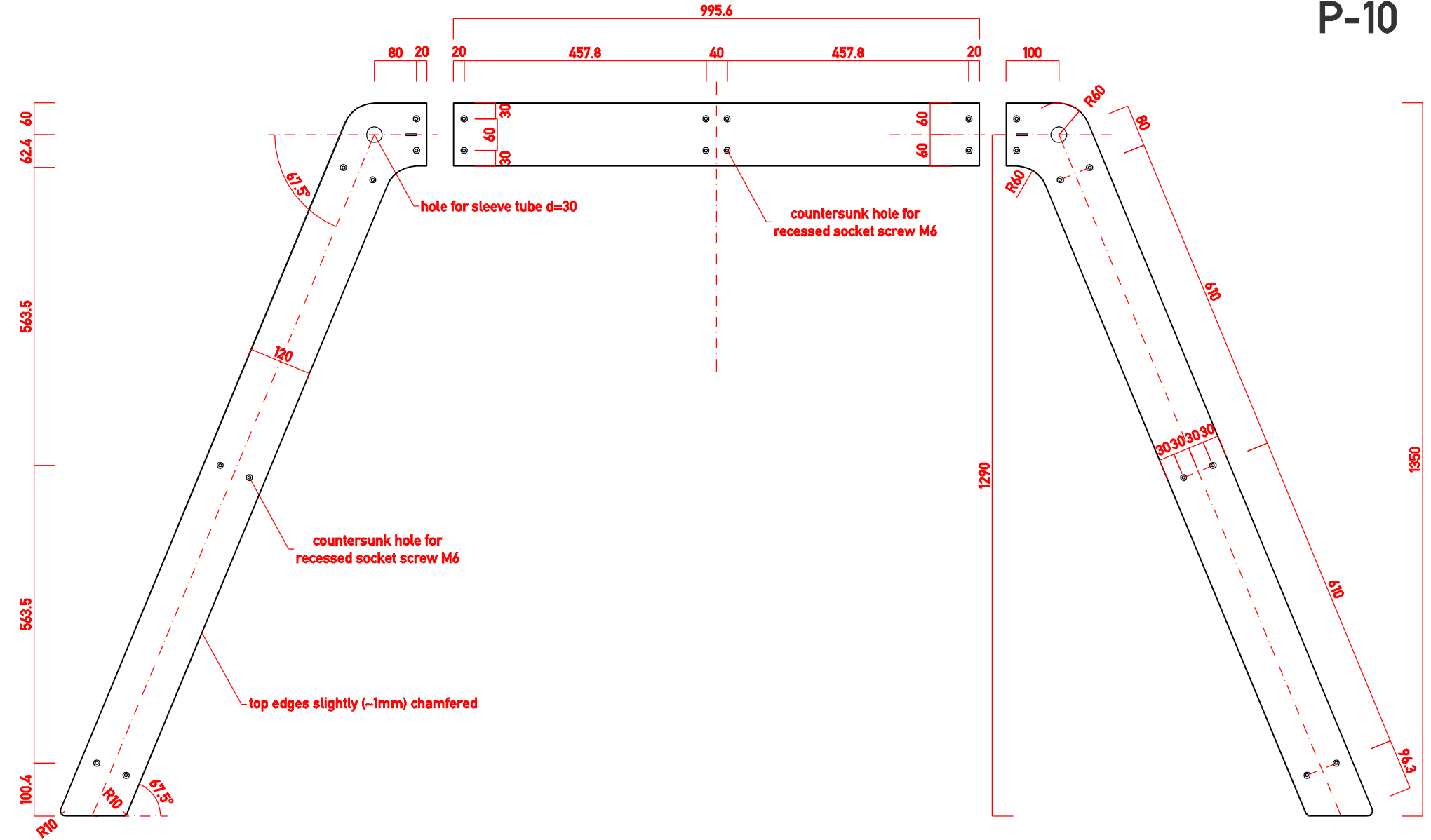
for overview of parts see drawing V5-iso

04-L / 04-R
 material: steel
 volume: 3162.49 cm³
 density: 7.85 g/cm³
 weight: 24.8 kg

isometric view 1/25



top view (A)

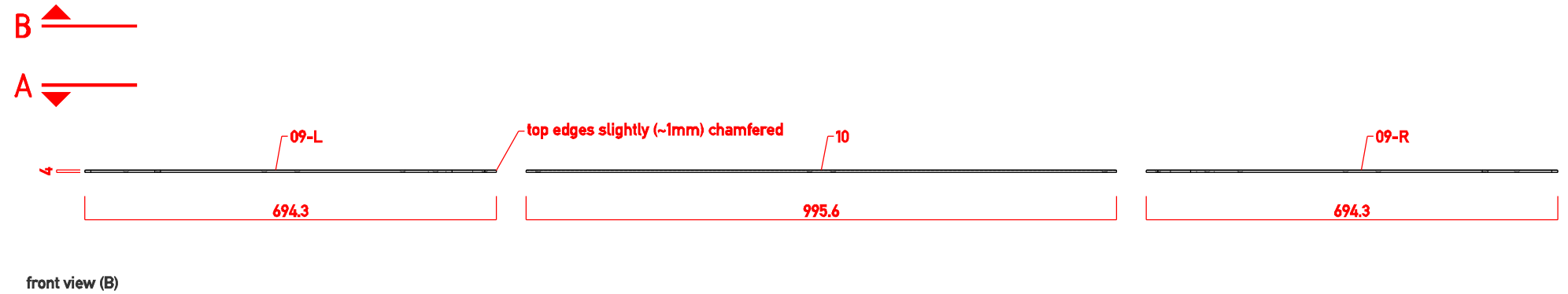


P-09
P-10

V5 BOM

ID	Part description	Qty
01	electric floor heating system, e.g. AEG TBA TC 50 200W	1
02	base plate, plywood app. 10mm thick	1
03	floor cover, e.g. noraplan uni (rubber flooring)	1
04-L	base frame, flat steel 80x20mm, left part	1
04-R	base frame, flat steel 80x20mm, right part	1
05	thread rod M12, l=330mm, screwed or welded to base frame	2
06	spacer sleeve, steel or aluminium tube d=30mm, l=60mm	2
07	washer A13, DIN9021 or similar	2
08	hex nut M12, ISO4032 or similar	2
09-L	base frame cover, steel or aluminium plate 120x4mm, left part	1
09-R	base frame cover, steel or aluminium plate 120x4mm, right part	1
10	base frame cover, steel or aluminium plate 120x4mm, center part	1
11	countersunk hex socket screw M6x12, DIN7991 or similar	24
12	screen panel, plywood t=40mm or similar, lower center part	1
13	screen panel, plywood t=40mm or similar, upper center part	1
14-L	screen panel, plywood t=40mm or similar, left part	1
14-R	screen panel, plywood t=40mm or similar, right part	1
15	biscuit joint, lamello 56 or similar	19
16	acoustic panel with fabric cover, t=20mm, lower front center part	1
17	acoustic panel with fabric cover, t=20mm, upper front center part	1
18	acoustic panel with fabric cover, t=20mm, lower rear center part	1
19	acoustic panel with fabric cover, t=20mm, upper rear center part	1
20-L	acoustic panel with fabric cover, t=20mm, front left part	1
20-R	acoustic panel with fabric cover, t=20mm, front right part	1
21-L	acoustic panel with fabric cover, t=20mm, rear left part	1
21-R	acoustic panel with fabric cover, t=20mm, rear right part	1

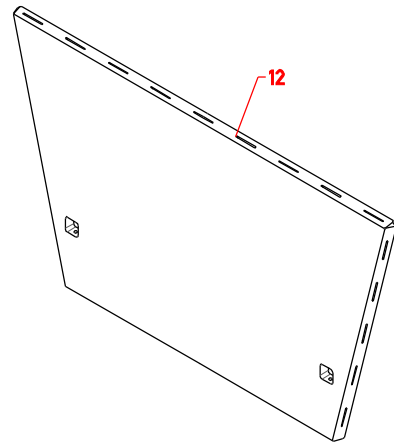
for overview of parts see drawing V5-iso



P-09-L / P-09-R
material: steel or aluminium
volume: 711.49 cm³
density: 7.85 g/cm³ or 2.7 g/cm³
weight: 5.59 kg or 1.92 kg

P-10
material: steel or aluminium
volume: 474.96 cm³
density: 7.85 g/cm³ or 2.7 g/cm³
weight: 3.73 kg or 1.28 kg

isometric view 1/25

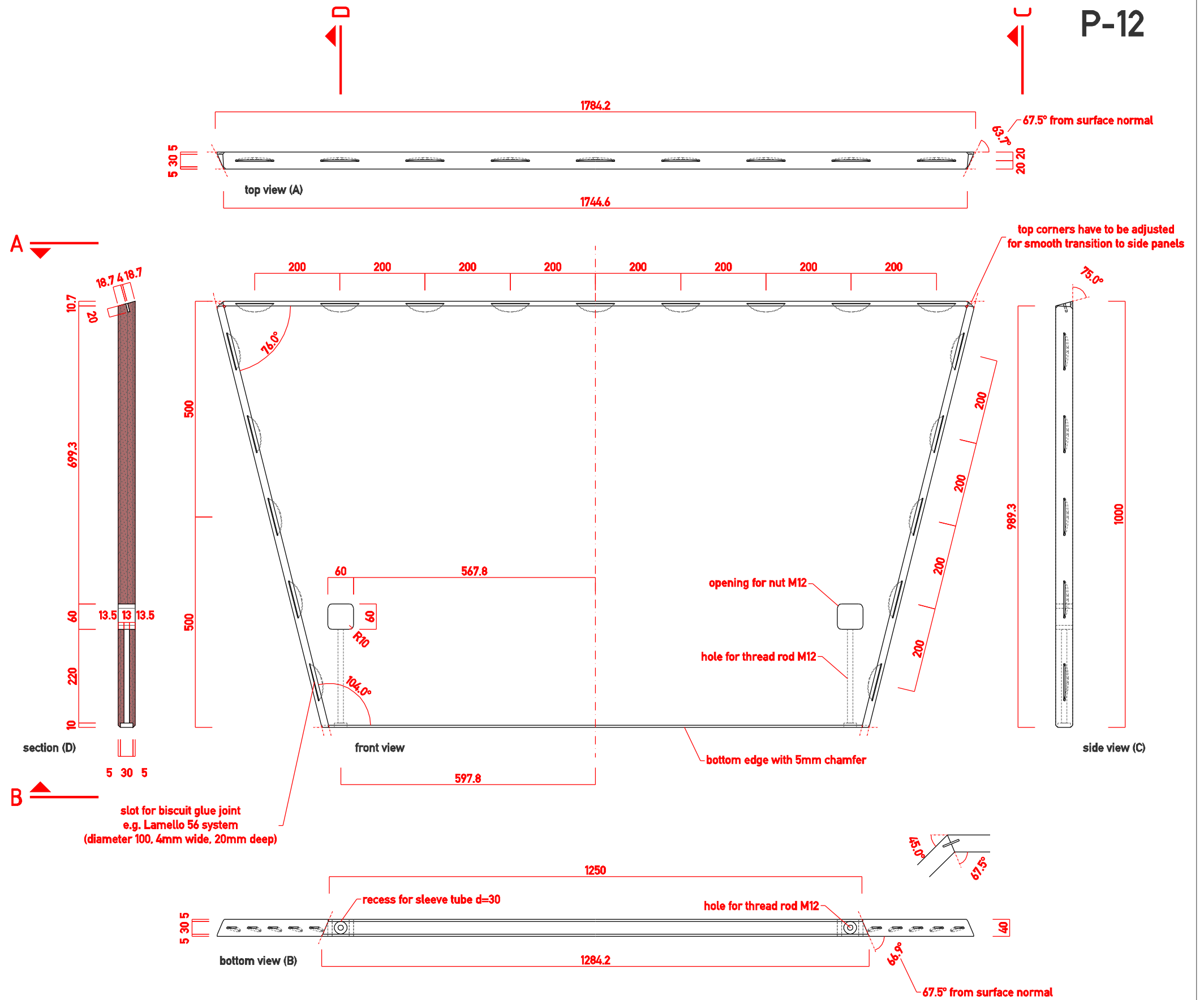


P-12

V5 BOM

ID	Part description	Qty
01	electric floor heating system, e.g. AEG TBA TC 50 200W	1
02	base plate, plywood app. 10mm thick	1
03	floor cover, e.g. noraplan uni (rubber flooring)	1
04-L	base frame, flat steel 80x20mm, left part	1
04-R	base frame, flat steel 80x20mm, right part	1
05	thread rod M12, l=330mm, screwed or welded to base frame	2
06	spacer sleeve, steel or aluminium tube d=30mm, l=60mm	2
07	washer A13, DIN9021 or similar	2
08	hex nut M12, ISO4032 or similar	2
09-L	base frame cover, steel or aluminium plate 120x4mm, left part	1
09-R	base frame cover, steel or aluminium plate 120x4mm, right part	1
10	base frame cover, steel or aluminium plate 120x4mm, center part	1
11	countersunk hex socket screw M6x12, DIN7991 or similar	24
12	screen panel, plywood t=40mm or similar, lower center part	1
13	screen panel, plywood t=40mm or similar, upper center part	1
14-L	screen panel, plywood t=40mm or similar, left part	1
14-R	screen panel, plywood t=40mm or similar, right part	1
15	biscuit joint, lamello 56 or similar	19
16	acoustic panel with fabric cover, t=20mm, lower front center part	1
17	acoustic panel with fabric cover, t=20mm, upper front center part	1
18	acoustic panel with fabric cover, t=20mm, lower rear center part	1
19	acoustic panel with fabric cover, t=20mm, upper rear center part	1
20-L	acoustic panel with fabric cover, t=20mm, front left part	1
20-R	acoustic panel with fabric cover, t=20mm, front right part	1
21-L	acoustic panel with fabric cover, t=20mm, rear left part	1
21-R	acoustic panel with fabric cover, t=20mm, rear right part	1

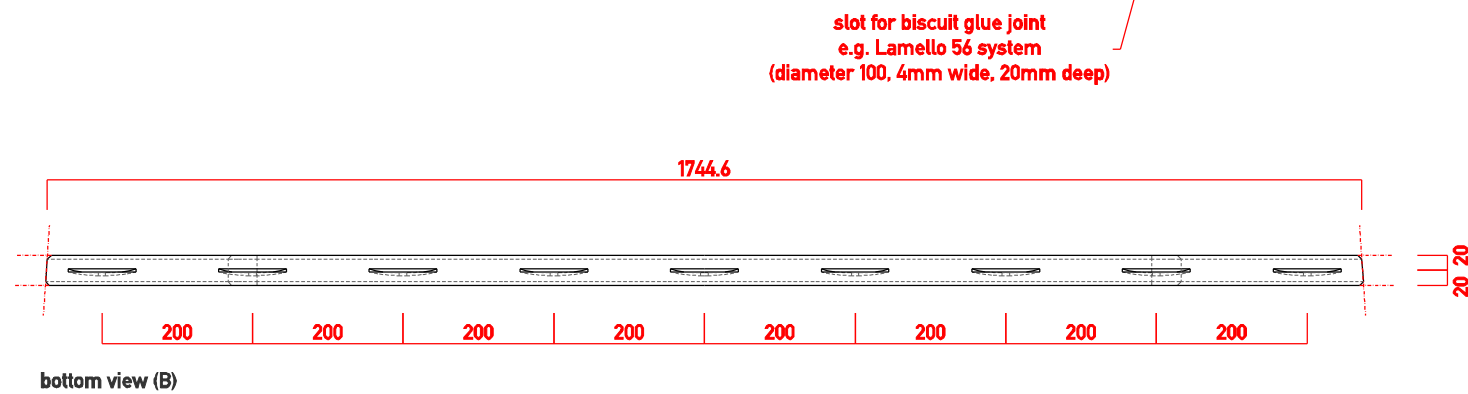
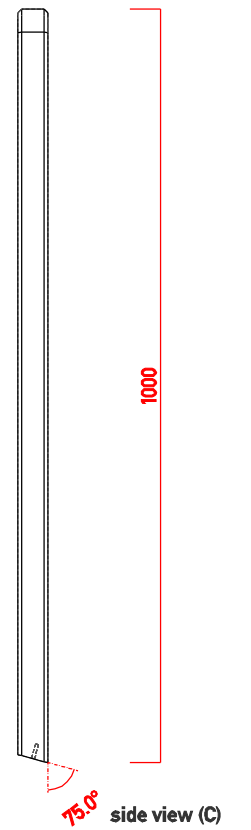
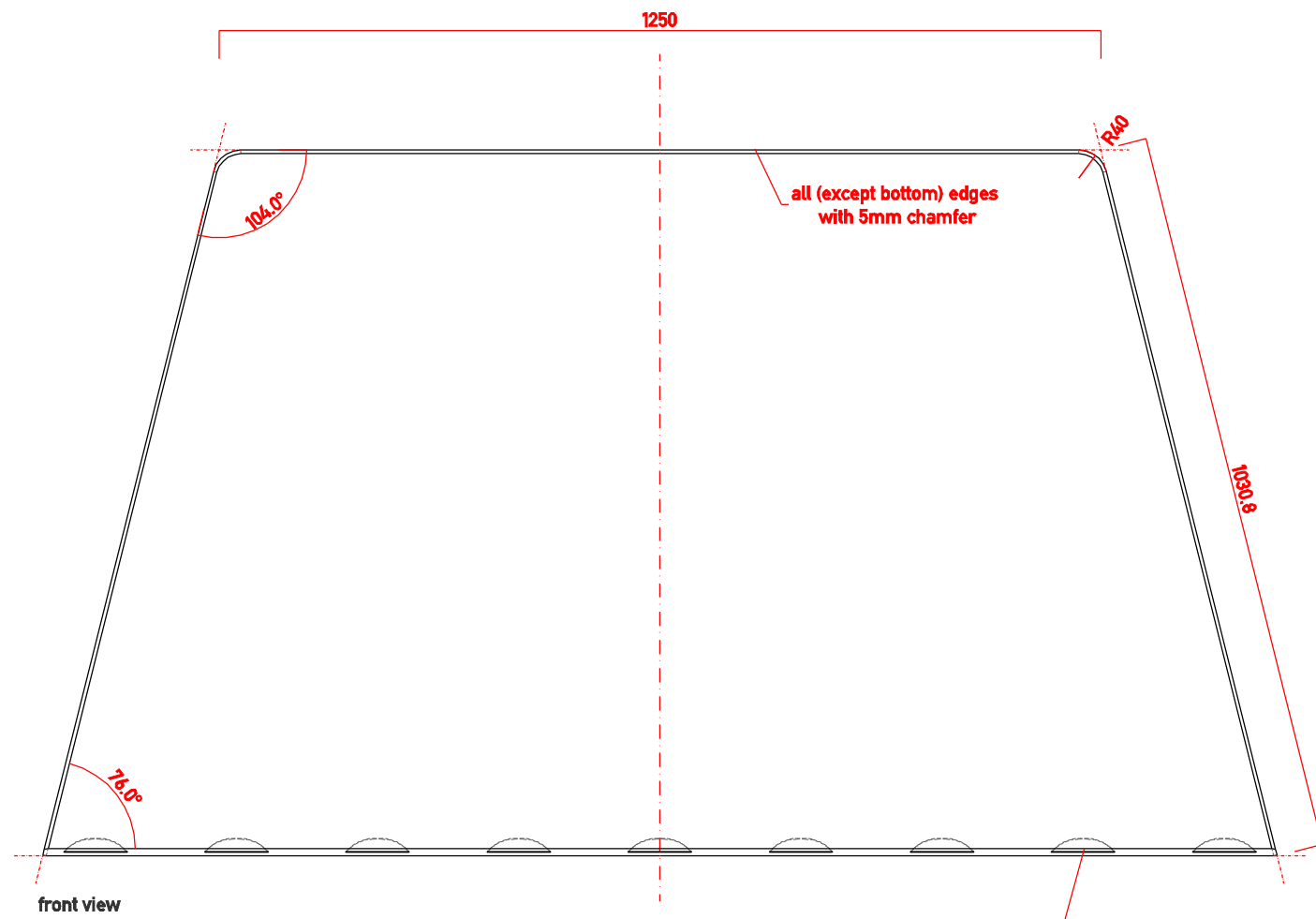
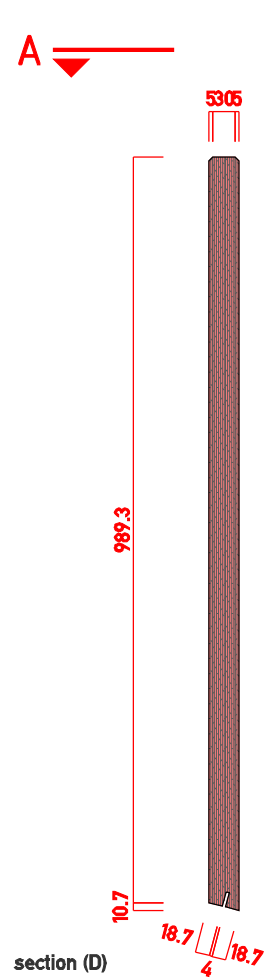
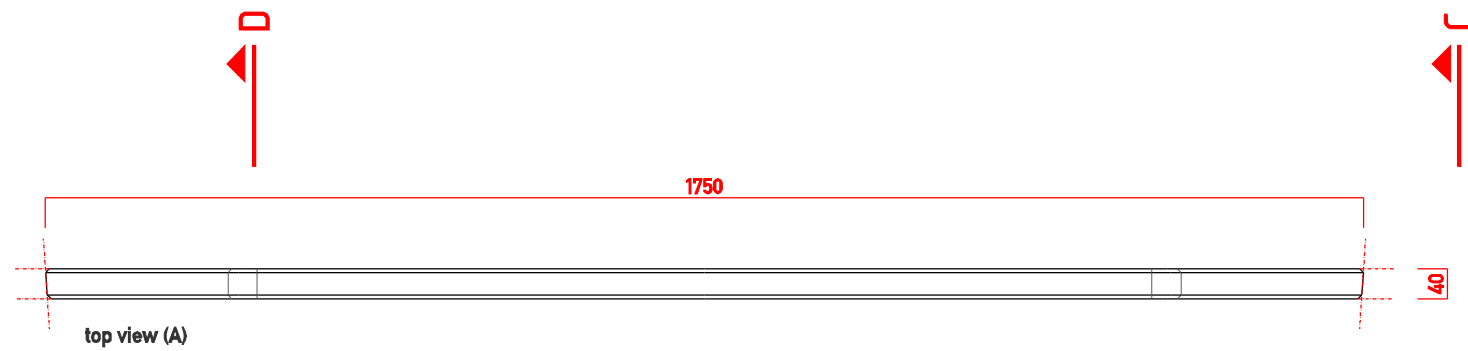
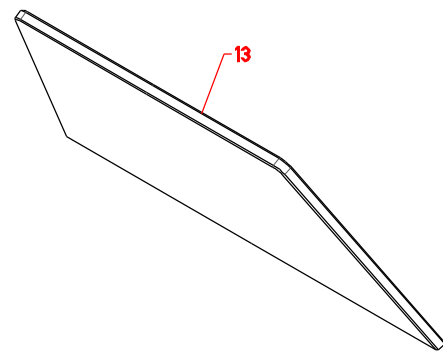
for overview of parts see drawing V5-iso



P-12
 material: birch plywood (e.g.)
 volume: 59817.1 cm³
 density: 0.65 g/cm³
 weight: 38.88 kg

isometric view 1/25

P-13



V5 BOM

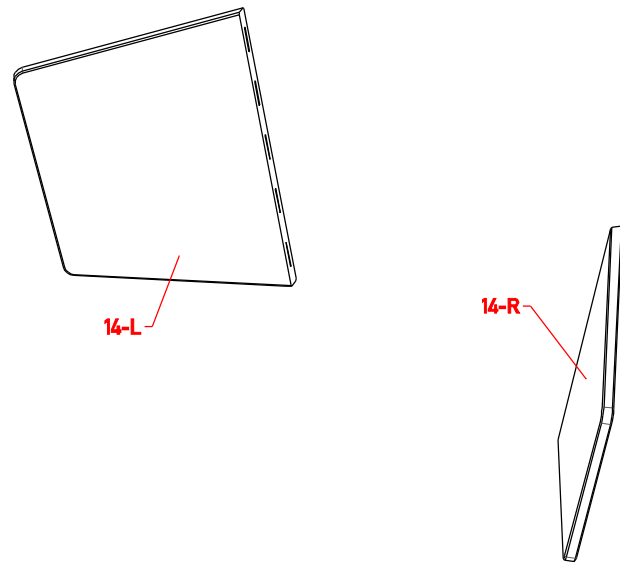
ID	Part description	Qty
01	electric floor heating system, e.g. AEG TBA TC 50 200W	1
02	base plate, plywood app. 10mm thick	1
03	floor cover, e.g. noraplan uni (rubber flooring)	1
04-L	base frame, flat steel 80x20mm, left part	1
04-R	base frame, flat steel 80x20mm, right part	1
05	thread rod M12, l=330mm, screwed or welded to base frame	2
06	spacer sleeve, steel or aluminium tube d=30mm, l=60mm	2
07	washer A13, DIN9021 or similar	2
08	hex nut M12, ISO4032 or similar	2
09-L	base frame cover, steel or aluminium plate 120x4mm, left part	1
09-R	base frame cover, steel or aluminium plate 120x4mm, right part	1
10	base frame cover, steel or aluminium plate 120x4mm, center part	1
11	countersunk hex socket screw M6x12, DIN7991 or similar	24
12	screen panel, plywood t=40mm or similar, lower center part	1
13	screen panel, plywood t=40mm or similar, upper center part	1
14-L	screen panel, plywood t=40mm or similar, left part	1
14-R	screen panel, plywood t=40mm or similar, right part	1
15	biscuit joint, lamello 56 or similar	19
16	acoustic panel with fabric cover, t=20mm, lower front center part	1
17	acoustic panel with fabric cover, t=20mm, upper front center part	1
18	acoustic panel with fabric cover, t=20mm, lower rear center part	1
19	acoustic panel with fabric cover, t=20mm, upper rear center part	1
20-L	acoustic panel with fabric cover, t=20mm, front left part	1
20-R	acoustic panel with fabric cover, t=20mm, front right part	1
21-L	acoustic panel with fabric cover, t=20mm, rear left part	1
21-R	acoustic panel with fabric cover, t=20mm, rear right part	1

for overview of parts see drawing V5-iso

slot for biscuit glue joint
e.g. Lamello 56 system
(diameter 100, 4mm wide, 20mm deep)

P-13
material: birch plywood (e.g.)
volume: 59480.8 cm³
density: 0.65 g/cm³
weight: 38.66 kg

isometric view 1/25

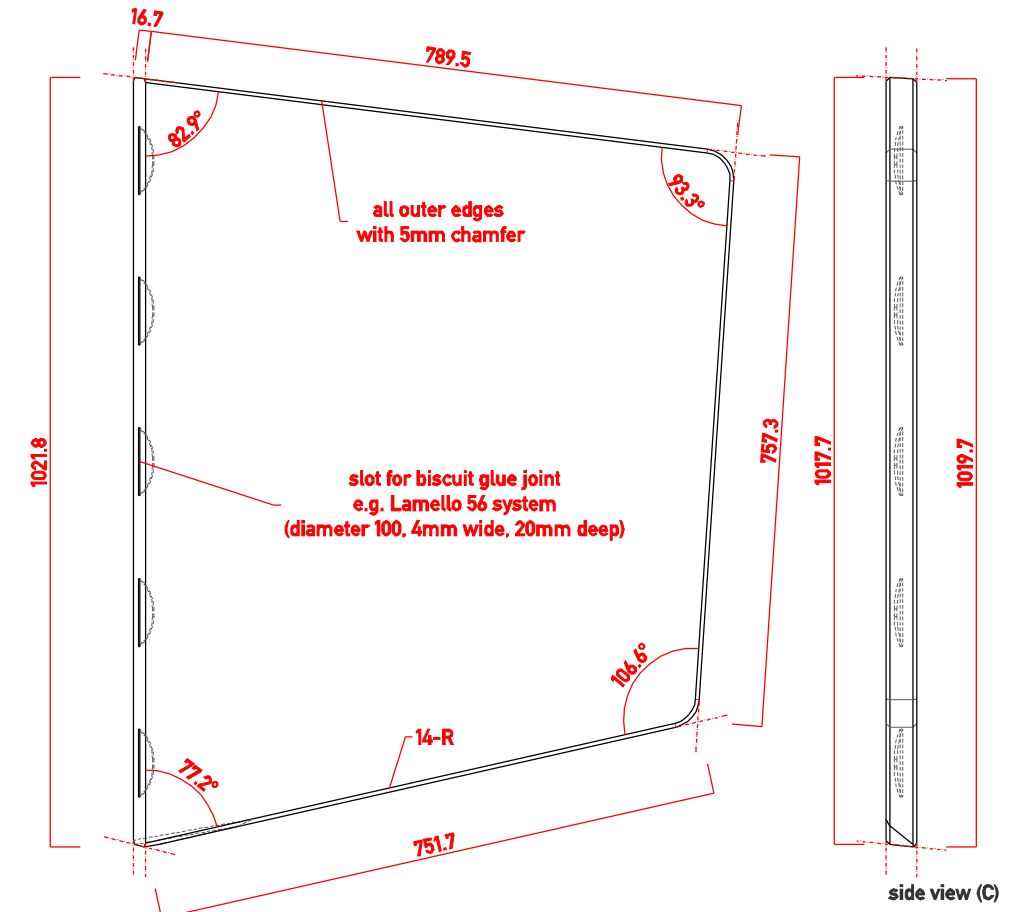
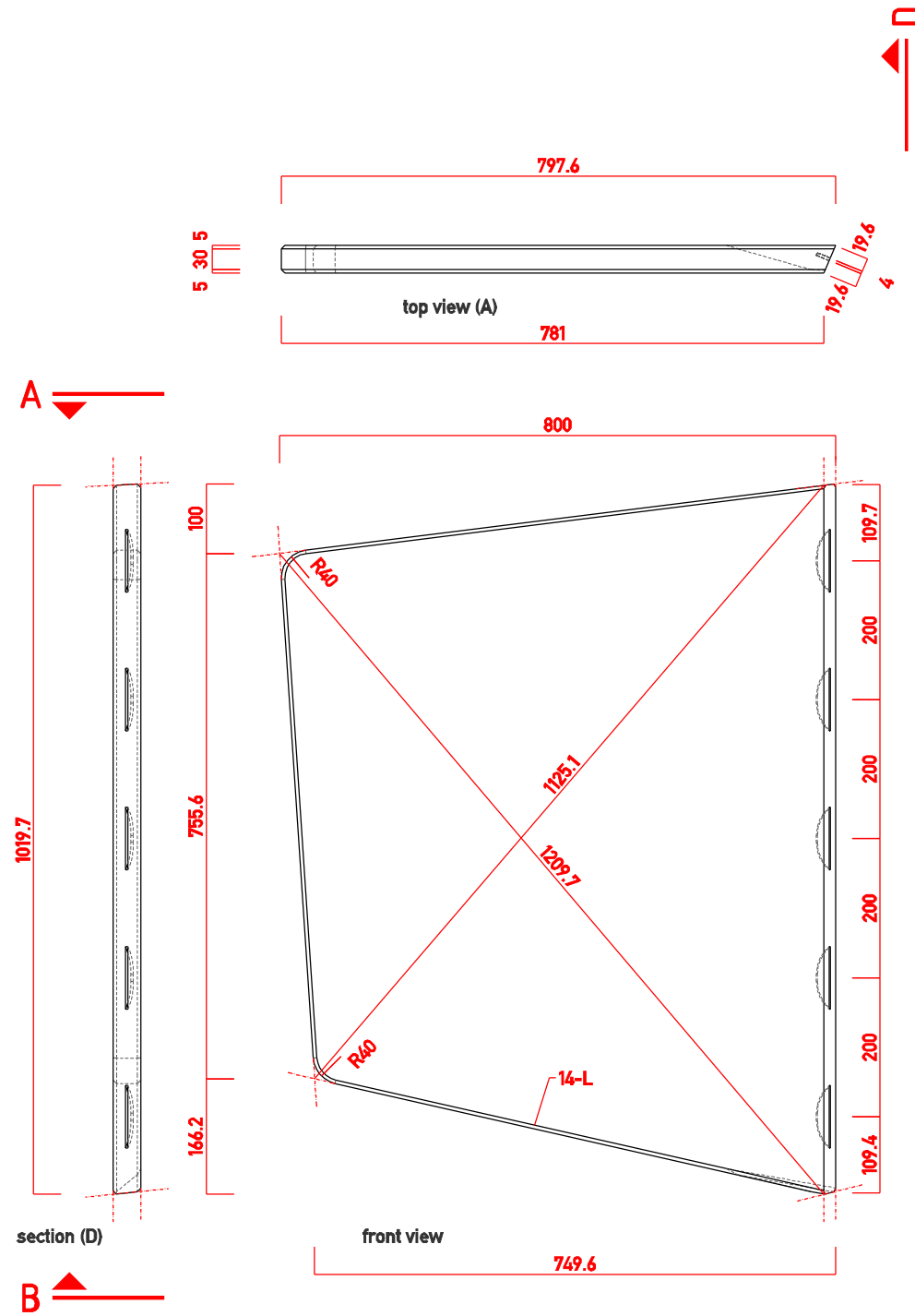


P-14

V5 BOM

ID	Part description	Qty
01	electric floor heating system, e.g. AEG TBA TC 50 200W	1
02	base plate, plywood app. 10mm thick	1
03	floor cover, e.g. noraplan uni (rubber flooring)	1
04-L	base frame, flat steel 80x20mm, left part	1
04-R	base frame, flat steel 80x20mm, right part	1
05	thread rod M12, l=330mm, screwed or welded to base frame	2
06	spacer sleeve, steel or aluminium tube d=30mm, l=60mm	2
07	washer A13, DIN9021 or similar	2
08	hex nut M12, ISO4032 or similar	2
09-L	base frame cover, steel or aluminium plate 120x4mm, left part	1
09-R	base frame cover, steel or aluminium plate 120x4mm, right part	1
10	base frame cover, steel or aluminium plate 120x4mm, center part	1
11	countersunk hex socket screw M6x12, DIN7991 or similar	24
12	screen panel, plywood t=40mm or similar, lower center part	1
13	screen panel, plywood t=40mm or similar, upper center part	1
14-L	screen panel, plywood t=40mm or similar, left part	1
14-R	screen panel, plywood t=40mm or similar, right part	1
15	biscuit joint, lamello 56 or similar	19
16	acoustic panel with fabric cover, t=20mm, lower front center part	1
17	acoustic panel with fabric cover, t=20mm, upper front center part	1
18	acoustic panel with fabric cover, t=20mm, lower rear center part	1
19	acoustic panel with fabric cover, t=20mm, upper rear center part	1
20-L	acoustic panel with fabric cover, t=20mm, front left part	1
20-R	acoustic panel with fabric cover, t=20mm, front right part	1
21-L	acoustic panel with fabric cover, t=20mm, rear left part	1
21-R	acoustic panel with fabric cover, t=20mm, rear right part	1

for overview of parts see drawing V5-iso



P-14-L / P14-R
 material: birch plywood (e.g.)
 volume: 27116.9 cm³
 density: 0.65 g/cm³
 weight: 17.63 kg