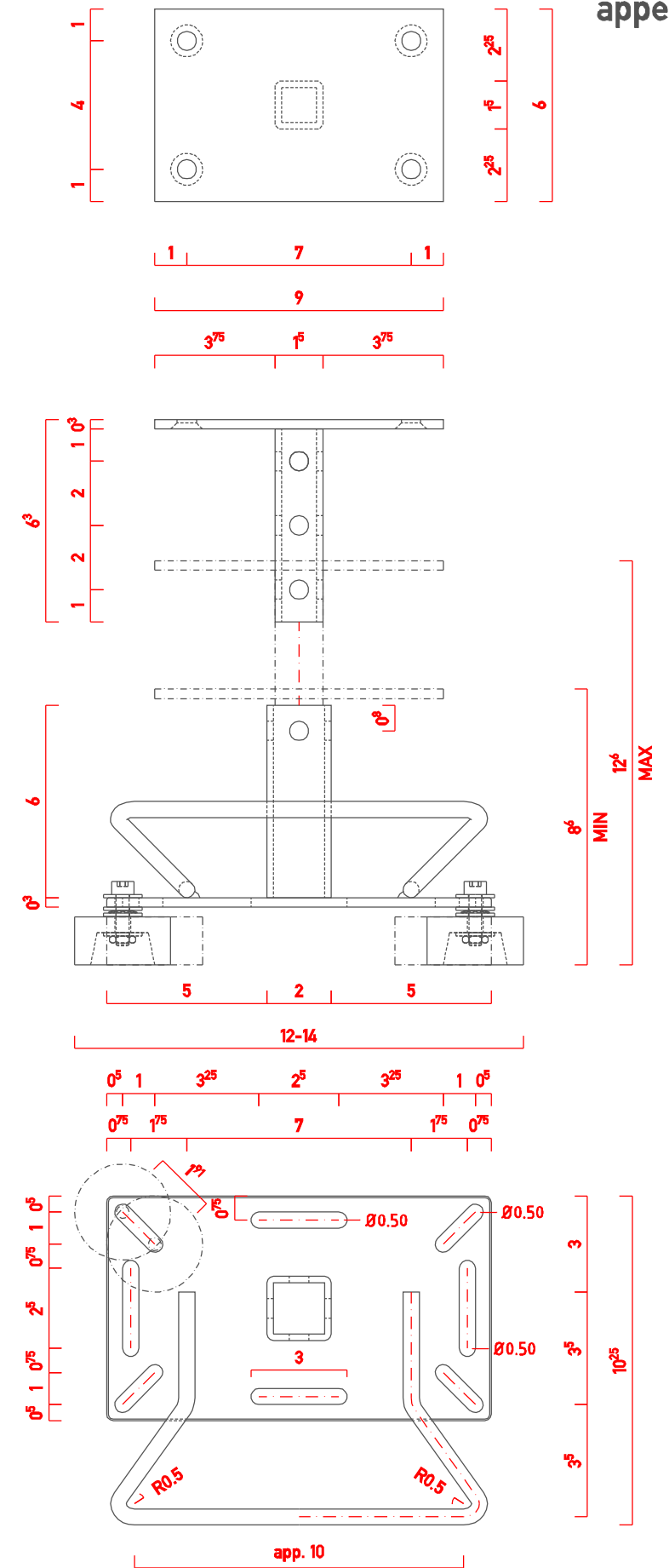
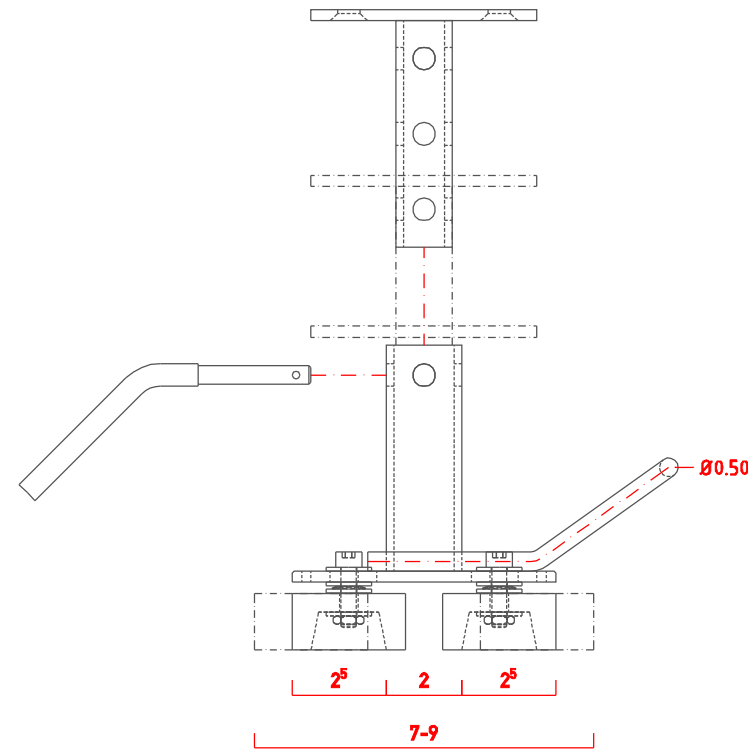


Nylon webbing not shown!



ID	Qty	Description
01	1	top plate, flat steel 60x90x3mm, with four countersunk M6 mounting holes for wood screws, to be fixed to desk top
02	1	square hollow steel section 15x2mm, l=100mm, welded to top plate, with mounting holes for three different suspension heights
03	1	fastening bolt
04	1	square hollow steel section 20x2mm, l=100mm, welded to bottom plate, with mounting hole on all sides
05	1	handle made of 5-6mm round steel, welded to bottom plate
06	1	bottom plate, flat steel 70x120x3mm, upper edge slightly chamfered, with slotted holes for mounting of rubber feet and insertion of nylon belt
07	4	socket recess screw M4x0.5, l=16mm, ISO 4762 or similar
08	16	washer M4.3 ISO 7093 or similar
09	4	spring used to keep the suspension system under tension, to be investigated, shown here as lockplate M8 DIN 5406
10	4	foot, diameter app. 30mm, height min. 15mm, made of rubber or similar, to be investigated (probably rubber doorstops could be used)
11	4	hex nut, thin, M4x0.5, ISO 4035 or similar
12	4	safety pin for fastening bolt